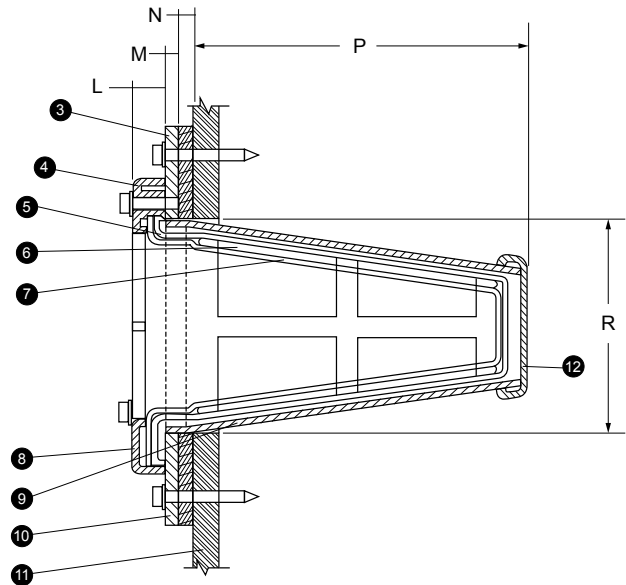
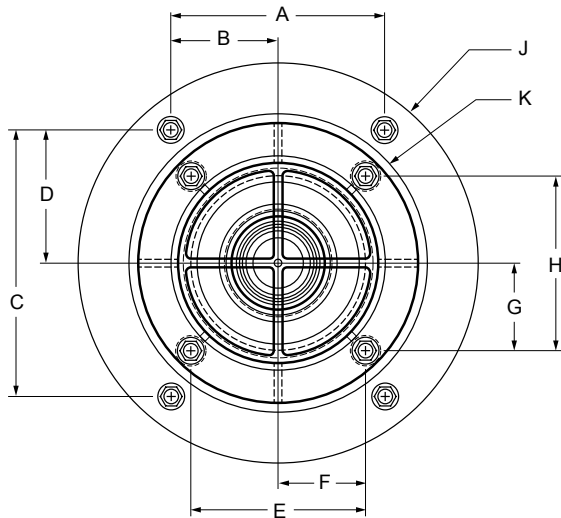
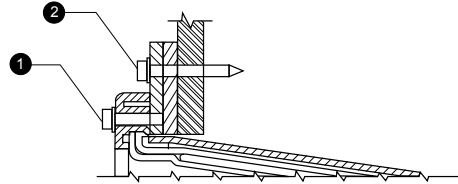
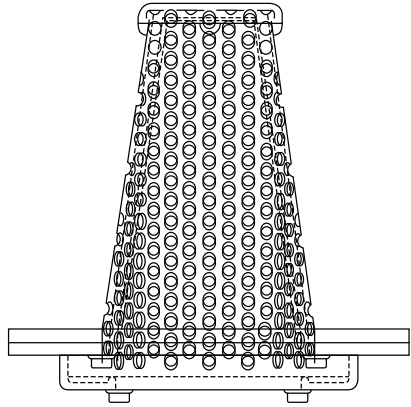


APF 4" JET FILTER

Stainless Steel or Black Powder Coated



A	4.00"
B	2.00"
C	5.00"
D	2.50"
E	3.25"
F	1.625"
G	1.625"
H	3.25"

J	7.50"
K	6.50"
L	0.635"
M	0.25"
N	0.25"
P	6.25"
R	4.00"

1	Flange Hex Washer Screw
2	Hex Head Screw
3	Bulkhead Plate
4	Face Plate Cap
5	Outer Cartridge Core
6	Inner Filter Media
7	Inner Cartridge Core

8	Filter Cartridge Assembly
9	Bulkhead Cage
10	Permanent Mount Bulkhead
11	Retaining Mount Bulkhead
12	Bulkhead Plate Cap Washer

Also available with the following options: Plastic Deflection Cap, Metal Louver Vent, Rubber One-Way Check Valve

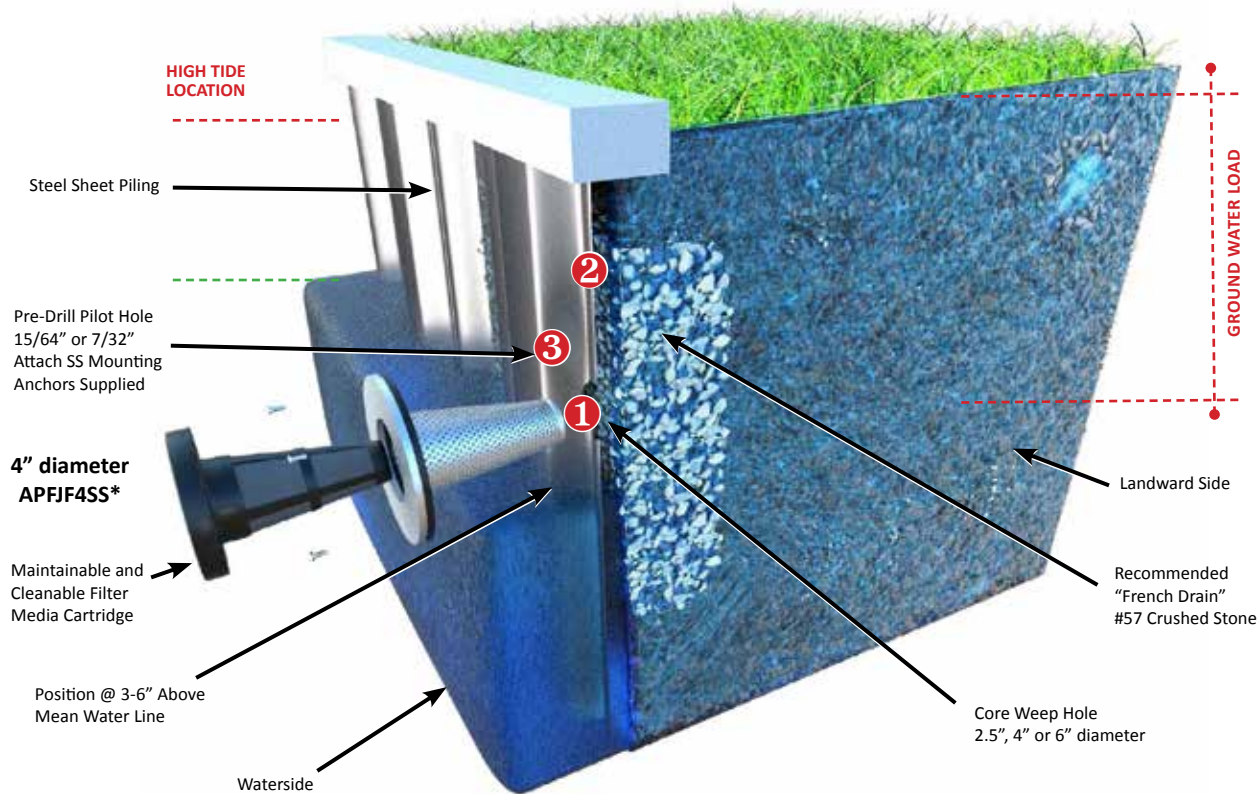


**ASSOCIATED PILE
& FITTING**

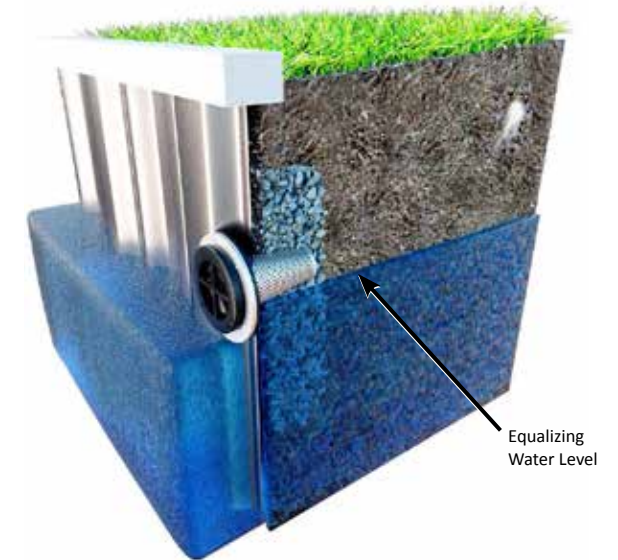
45 Samworth Road, Clifton, NJ 07014
 Tel: 973-773-8400
 Fax: 973-773-8442
 email: apf@associatedpile.com
 www.associatedpile.com
 Call Toll Free: 800-526-9047

APF JET FILTER – INSTALLATION DETAIL

Water Level Prior to APF JET Filter Installation



Water Level After APF JET Filter Installation



* Additional Size & Diameter Option
2.5" diameter APFJF2.5PC or SS

Step	Installation Guide
1	Prepare the installation locations by ensuring the wall is smooth and level to allow the filter housing to install flush with the wall. Core a hole so that the bottom rim of the unit is 2-4 inches above the mean waterline or soil line. Core through the thickness of the wall and far enough for the housing to slide fully into the wall. Please note, if there is an algae or barnacle line, ensure the housing is 2-4" above this line. Insert the APF JET Filter housing into the cored hole. Rotate the housing unit so the APF logo is positioned at the top.
2	For best results, a flowable material such as crushed #57 stone should be placed behind the wall around the filter. For installations where digging behind the wall is not possible and no flowable material exist at the installation locations, consider coring further into the ground and packing flowable material such as sand, pea gravel, crushed stone etc. through the core entry hole prior to filter installation.
3	Mount the housing unit to the wall by pre-drilling 15/64" or 7/32" pilot holes into the wall using the existing holes in the housing as a guide. Attach the housing to wall with the provided stainless steel, self-drilling screws through the housing plate holes into the wall.

Standard Weep Hole Component Installation Detail

US PAT#7,615,148
Made in the USA