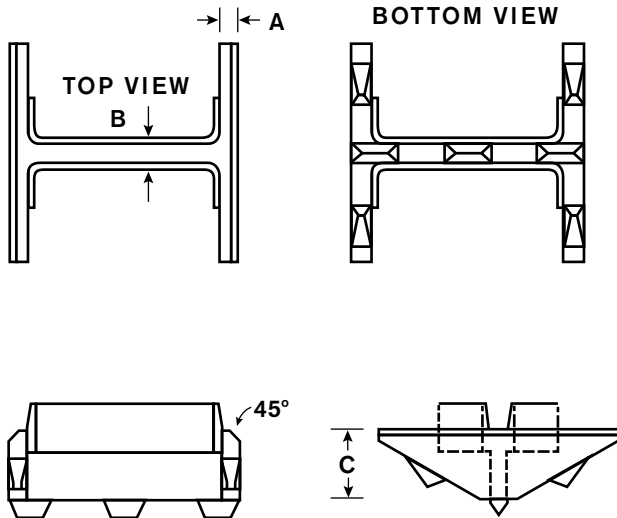


HARD-BITE™ – HP-7780-B

Dimensions



MATERIAL: CAST STEEL

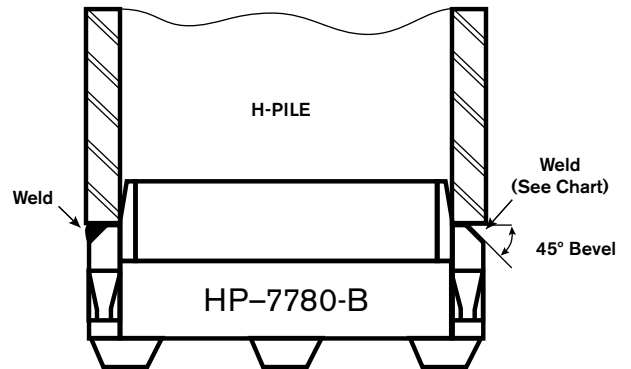
ASTM A148 90/60

| | |
|-----|------|
| | 12" |
| A | 3/4" |
| B | 3/4" |
| C | 3" |
| Wt. | 23# |

NORMAL FOUNDRY TOLERANCES APPLY

Installation Instructions

1. Fit point onto the end of the square cut pile end.
2. Weld point to the pile in either flat or vertical position using E70XX electrodes.
3. Weld across full width of flange following chart below for minimum size weld.



| Pile Size | Flange Thickness | Groove Weld |
|------------|------------------|-------------|
| HP 12 x 84 | .685 | 3/8 |
| x 74 | .610 | 3/8 |
| x 63 | .515 | 5/16 |
| x 53 | .435 | 5/16 |



**ASSOCIATED PILE
& FITTING**

45 Samworth Road, Clifton, NJ 07014
 Tel: 973-773-8400
 Fax: 973-773-8442
 email: apf@associatedpile.com
www.associatedpile.com
 Call Toll Free: 800-526-9047