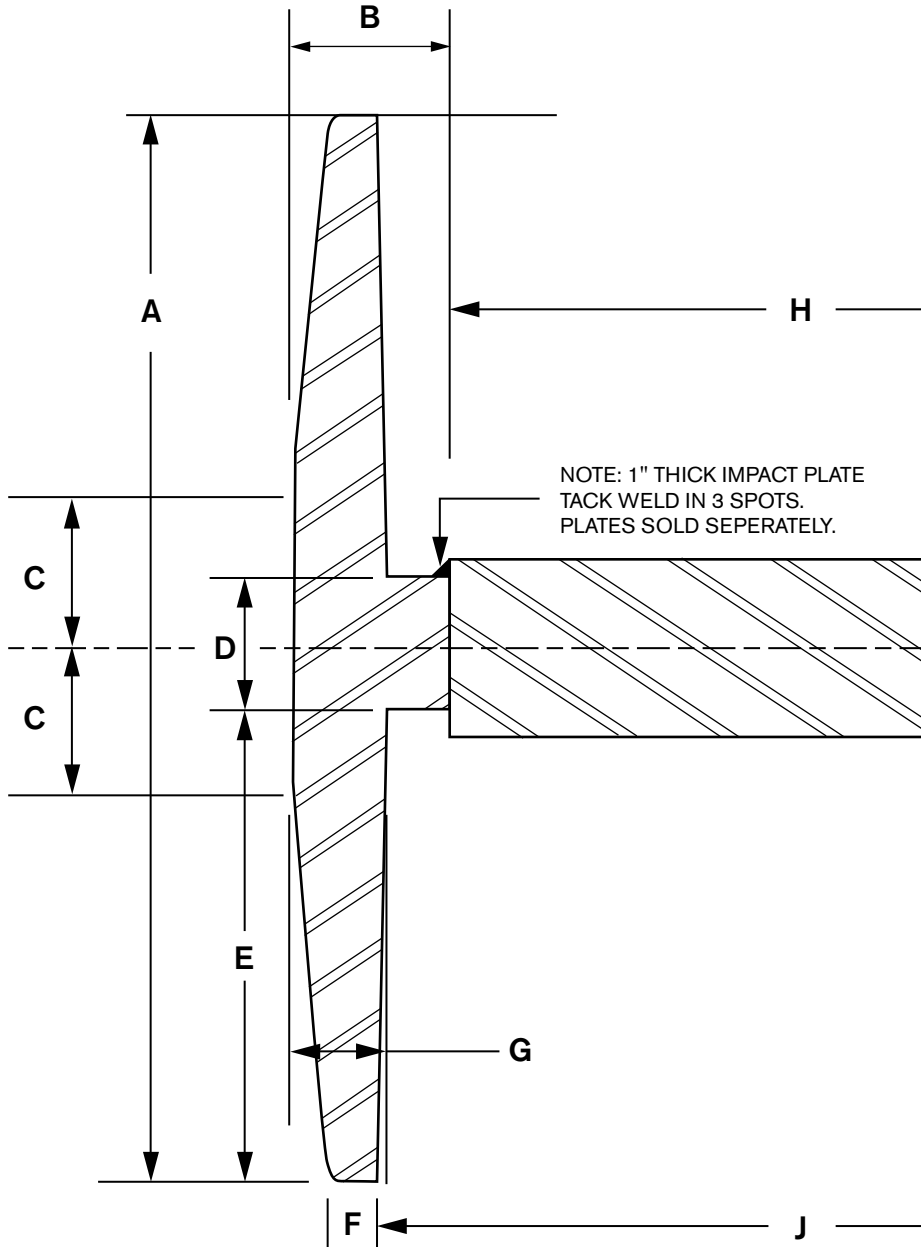


BRUNS SPLICER SLEEVE

S - 20000B - 14"



MATERIAL: CAST STEEL

ASTM A148 90/60

Weight: 33#

A	6"
B	7/8"
C	1"
D	3/4"
E	2 5/8"
F	1/4"
G	1/2"
H	13 1/4"
J	14 1/8"

SECTION THROUGH PIPE AND SPLICER.
NORMAL FOUNDRY TOLERANCES APPLY.



**ASSOCIATED PILE
& FITTING**

45 Samworth Road, Clifton, NJ 07014

Tel: 973-773-8400

Fax: 973-773-8442

email: apf@associatedpile.com

www.associatedpile.com

Call Toll Free: 800-526-9047