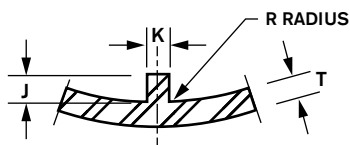
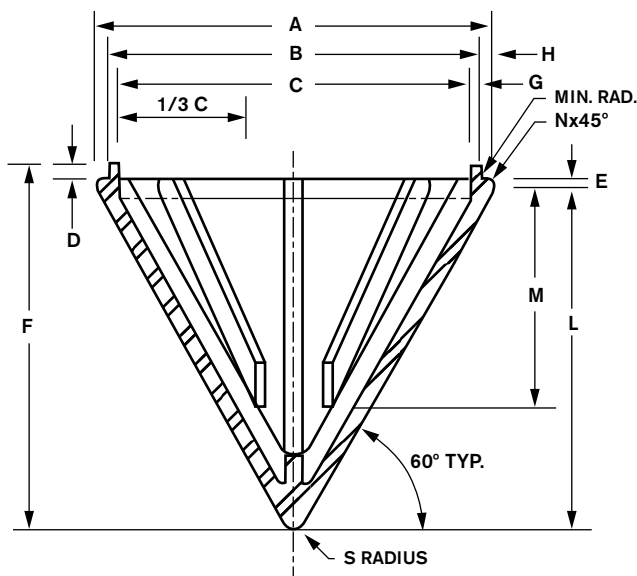
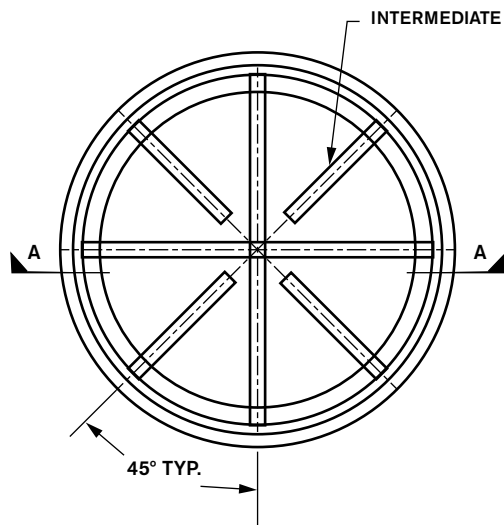


# CONICAL POINT

## Model CP99



Section B-B

**MATERIAL: CAST STEEL**

ASTM A27 65/35

Normal foundry tolerances apply

PIPE SIZE	12"	16"	18"	20"	24"
<b>A</b>	12"	16"	18"	20"	24"
<b>B</b>	10.75"	14.75"	16.75"	18.75"	21.75"
<b>C</b>	9.75"	13.75"	15.75"	17.75"	20.75"
<b>D</b>	0.75"	0.75"	0.75"	0.75"	0.75"
<b>E</b>	0.50"	0.50"	0.50"	0.50"	0.50"
<b>F</b>	12"	14.75"	16.75"	18.50"	21.75"
<b>G</b>	0.50"	0.50"	0.50"	0.50"	0.50"
<b>H</b>	0.625"	0.625"	0.625"	0.625"	1.125"
<b>J</b>	0.75"	0.875"	1.00"	1.00"	1.25"
<b>K</b>	0.4375"	0.50"	0.50"	0.50"	0.625"
<b>L</b>	10.75"	13.50"	15.50"	17.25"	20.50"
<b>M</b>	-	-	-	13"	15"
<b>R</b>	0.1875"	0.25"	0.25"	0.25"	0.375"
<b>S</b>	0.50"	0.50"	0.50"	0.50"	0.50"
<b>T</b>	0.625"	0.625"	0.75"	0.75"	0.75"
<b>LONG</b>	4	4	4	4	4
<b>SHORT</b>	-	-	-	4	4
<b>WEIGHT</b>	70#	120#	135#	175#	250#



**ASSOCIATED PILE & FITTING**

45 Samworth Road, Clifton, NJ 07014

Tel: 973-773-8400

Fax: 973-773-8442

email: apf@associatedpile.com

www.associatedpile.com

Call Toll Free: 800-526-9047