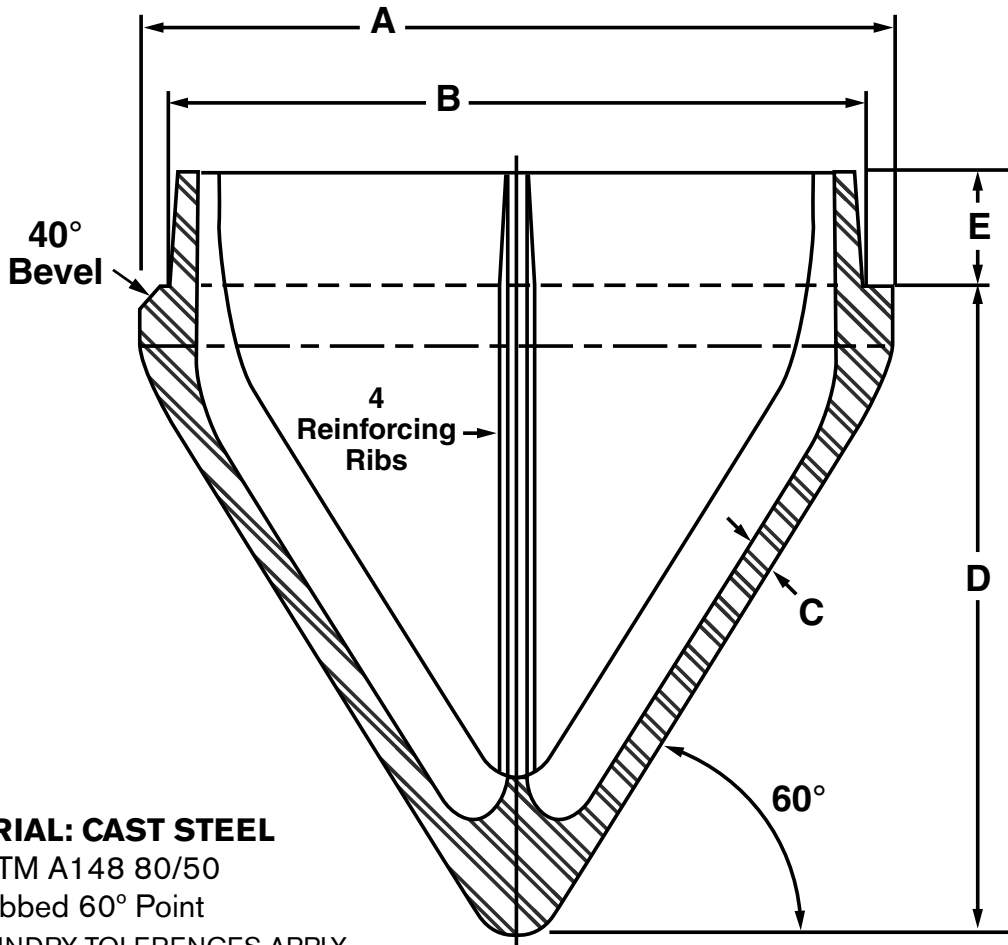


INSIDE FLANGE CONICAL POINT

Model P-13006



MATERIAL: CAST STEEL

ASTM A148 80/50

Ribbed 60° Point

NORMAL FOUNDRY TOLERANCES APPLY

PIPE OD	A	B	C	D	E	GRADES	wt
12-3/4"	12-3/4"	11-3/8"	7/16"	11-5/8"	2"	80/50	76#
14"	14"	12-5/8"	5/8"	12-5/8"	1"	80/50	100#
20"	20"	18-1/4"	5/8"	18-1/8"	1-1/2"	80/50	186#
24"	24"	22-3/8"	5/8"	21-1/2"	1-1/2"	80/50	325#
36"	36"	34-1/2"	3/4"	32-3/4"	2-1/8"	65/35	548#

Installation Instructions

1. Hold conical point in close contact with the end of a square cut pile.
2. For 3/8" wall pipe or greater, place a 5/16" partial penetration single-bevel groove weld along the entire circumference of the pile/shoe interface. For 5/16" wall pipe or less, place a weld equal to the wall thickness of the pipe.
3. Use an E70XX low hydrogen electrode or equivalent filler material.



ASSOCIATED PILE & FITTING

45 Samworth Road, Clifton, NJ 07014
 Tel: 973-773-8400
 Fax: 973-773-8442
 email: apf@associatedpile.com
www.associatedpile.com
 Call Toll Free: 800-526-9047