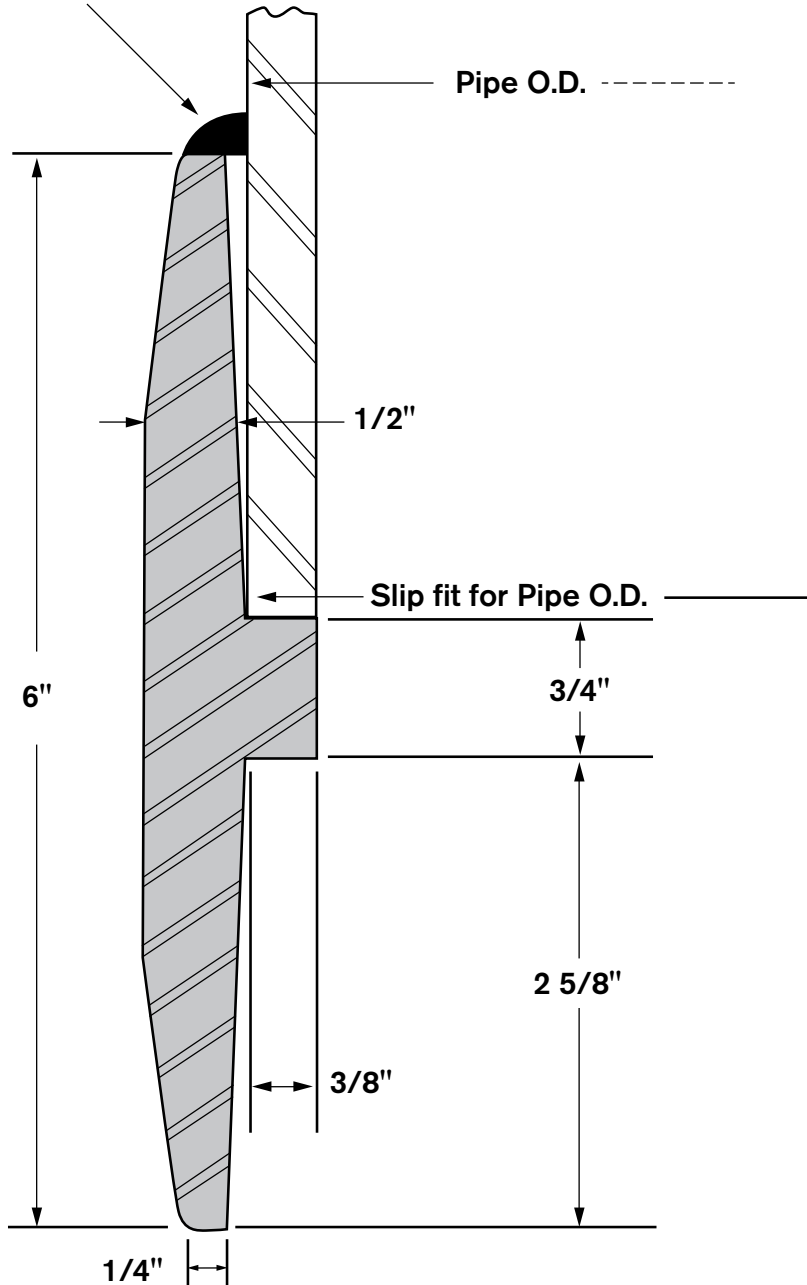


# WELD-FIT SPLICER SLEEVE

## S - 20000 WF

1/4" Fillet Weld  
Top & Bottom



**MATERIAL: CAST STEEL**

ASTM A148 90/60

PIPE O.D.	WEIGHT
7 5/8"	23#
8 5/8"	19#
9 5/8"	31#
10 3/4"	28#
12"	31#
12 3/4"	31#
16"	42#

SECTION THROUGH PIPE AND SPLICER  
BEFORE DRIVING.

NORMAL FOUNDRY TOLERANCES APPLY.



**ASSOCIATED PILE  
& FITTING**

45 Samworth Road, Clifton, NJ 07014

Tel: 973-773-8400

Fax: 973-773-8442

email: [apf@associatedpile.com](mailto:apf@associatedpile.com)

[www.associatedpile.com](http://www.associatedpile.com)

Call Toll Free: 800-526-9047