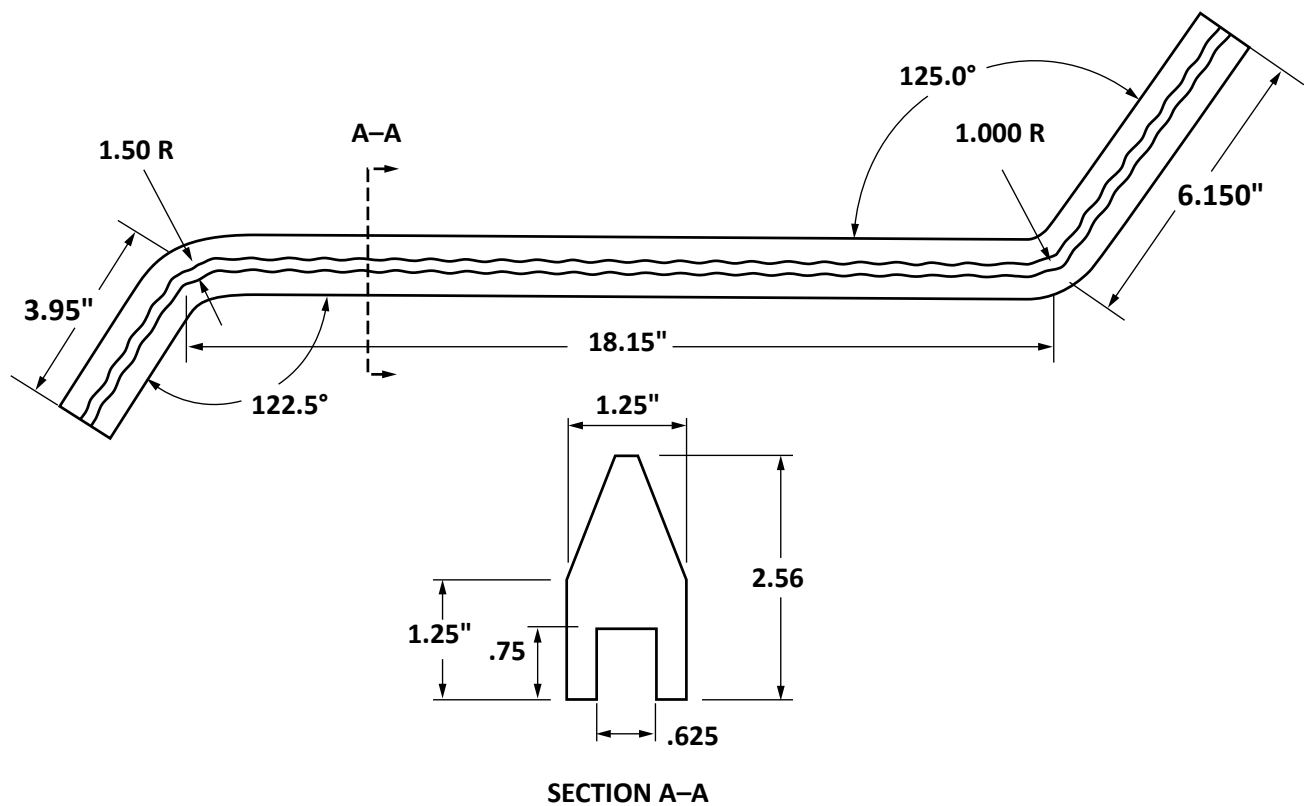


SHEET PILE PROTECTOR

X9-NZ 19/21

MATERIAL: CAST STEEL
ASTM A148 90/60
Normal foundry tolerances apply



	ASSOCIATED PILE & FITTING	45 Samworth Road, Clifton, NJ 07014 Tel: 973-773-8400 Fax: 973-773-8442 email: apf@associatedpile.com www.associatedpile.com Call Toll Free: 800-526-9047
--	--------------------------------------	--