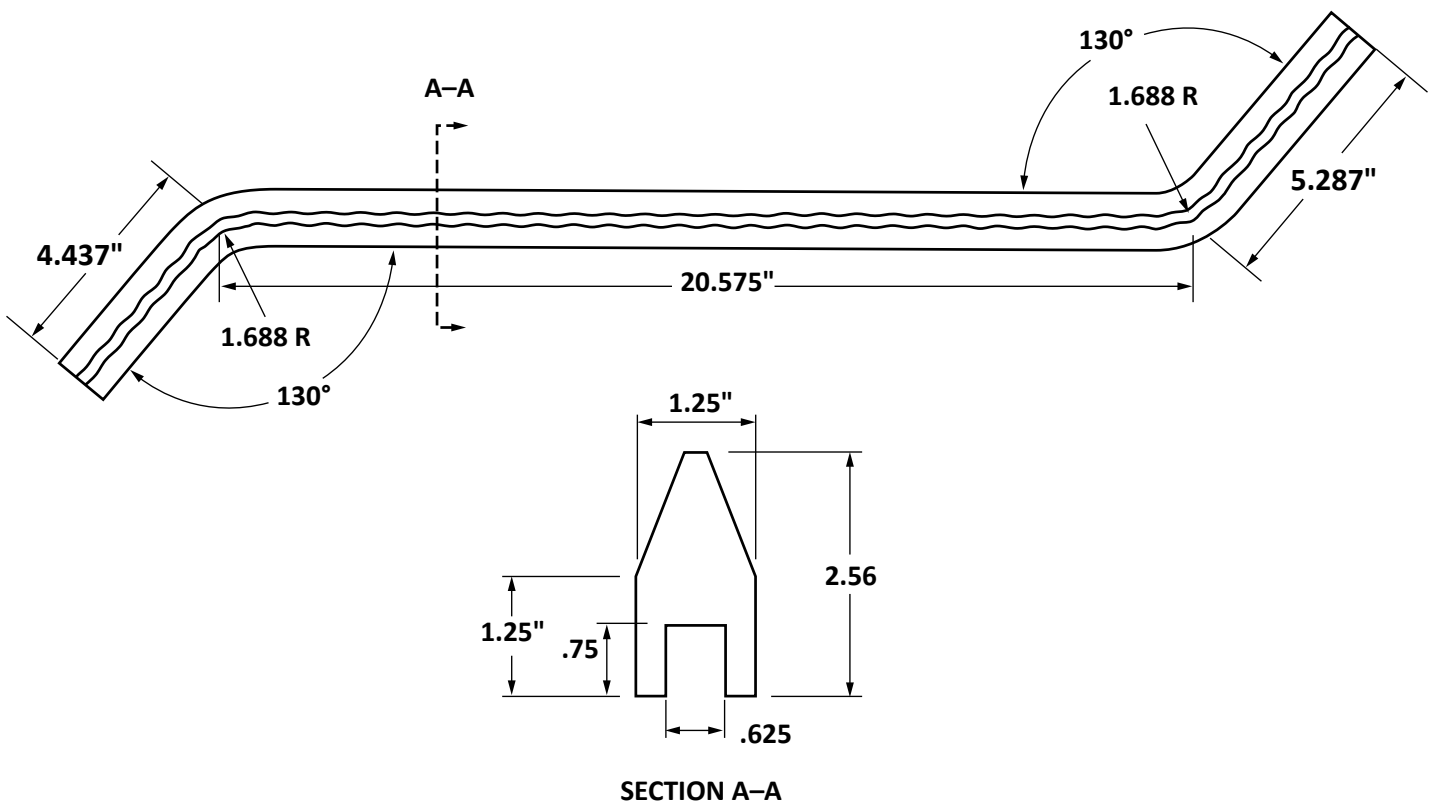


SHEET PILE PROTECTOR

X9-PZC-18

MATERIAL: CAST STEEL
ASTM A148 90/60
Normal foundry tolerances apply



**ASSOCIATED PILE
& FITTING**

45 Samworth Road, Clifton, NJ 07014
Tel: 973-773-8400
Fax: 973-773-8442
email: apf@associatedpile.com
www.associatedpile.com
Call Toll Free: 800-526-9047