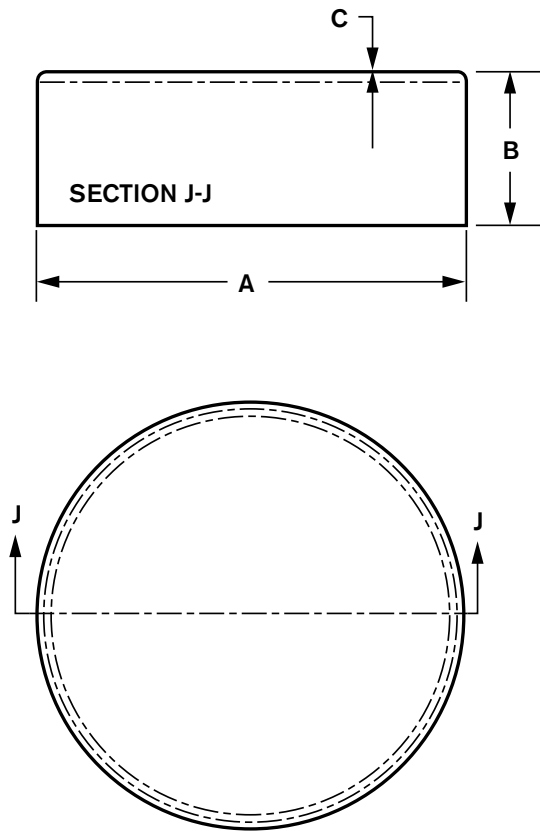


PLASTIC PILING CAPS

Model C-19000



**MATERIAL: POLYETHYLENE
ROUND/FLAT**

Black or White for Most Sizes.

4 Pre-Punched Holes on
the Flanges for Nailing

A	B	C
5.50"	2.00" min	0.080"
6.00"	2.00" min	0.080"
6.50"	2.00" min	0.080"
7.00"	2.00" min	0.080"
7.50"	2.00" min	0.080"
8.00"	2.00" min	0.080"
8.50"	2.00" min	0.080"
9.00"	2.00" min	0.080"
10.00"	2.00" min	0.080"
10.50"	2.00" min	0.080"
11.00"	2.00" min	0.080"
11.50"	2.00" min	0.080"
12.00"	2.00" min	0.080"
12.50"	2.00" min	0.080"
13.00"	2.00" min	0.080"
13.50"	2.00" min	0.080"
14.00"	2.00" min	0.080"
14.50"	2.00" min	0.080"
15.00"	2.00" min	0.080"
15.50"	2.00" min	0.080"
16.00"	2.00" min	0.080"
16.50"	2.00" min	0.080"
17.00"	2.00" min	0.080"
17.50"	2.00" min	0.080"
18.00"	2.00" min	0.080"



**ASSOCIATED PILE
& FITTING**

45 Samworth Road, Clifton, NJ 07014

Tel: 973-773-8400

Fax: 973-773-8442

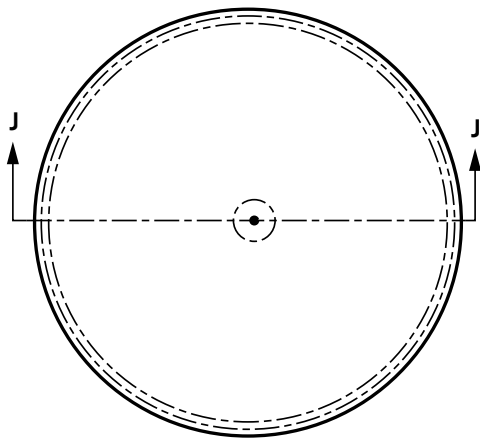
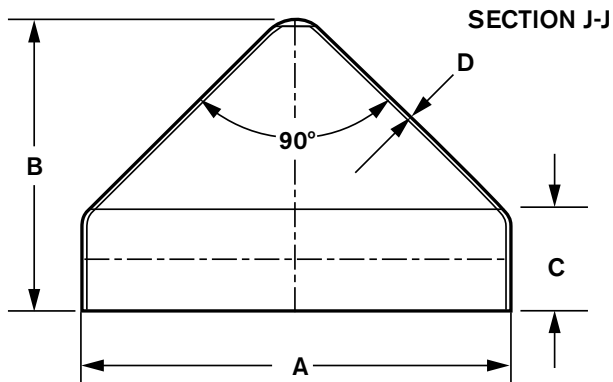
email: apf@associatedpile.com

www.associatedpile.com

Call Toll Free: 800-526-9047

PLASTIC PILING CAPS

Model C-19000



**MATERIAL: POLYETHYLENE
ROUND/CONE**

Black or White for Most Sizes.
4 Pre-Punched Holes on
the Flanges for Nailing

A	B	C	D
5.00"	4.50"	2.50"	0.080"
5.50"	4.50"	2.10"	0.080"
6.00"	4.50"	1.90"	0.080"
6.50"	5.20"	2.50"	0.080"
7.00"	5.28"	2.20"	.091"-.101"*
7.50"	5.30"	2.30"	0.080"
8.00"	6.00"	2.20"	.110"-.115"*
8.50"	6.00"	2.20"	.050"-.055"*
9.00"	6.42"	2.28"	.094"-.103"*
10.00"	7.00"	2.40"	.083"-.130"*
10.50"	6.90"	2.20"	.130"-.140"*
11.00"	7.30"	2.25"	.098"-.100"*
11.50"	7.70"	2.30"	0.080"
12.00"	8.00"	2.40"	.138"-.170"*
12.50"	9.40"	2.70"	0.80"
13.00"	8.50"	2.40"	.133"-.175"*
13.50"	9.00"	2.40"	0.080"
14.00"	9.30"	2.30"	0.080"
14.50"	9.50"	2.50"	0.080"
15.00"	9.70"	2.70"	0.080"
15.50"	10.00"	2.90"	0.080"
16.00"	10.50"	2.90"	0.080"
16.50"	11.00"	3.10"	0.080"
17.00"	11.00"	3.00"	0.080"
17.50"	11.00"	3.00"	0.080"
18.00"	10.50"	2.80"	0.080"
18.50"	-	-	0.080"
20.00"	12.30"	3.20"	0.080"
20.50"	-	-	0.080"
22.00"	-	-	0.080"
24.00"	14.50"	3.70"	0.080"
30.00"	-	-	0.080"

*These caps are injection molded.



**ASSOCIATED PILE
& FITTING**

45 Samworth Road, Clifton, NJ 07014
Tel: 973-773-8400
Fax: 973-773-8442
email: apf@associatedpile.com
www.associatedpile.com
Call Toll Free: 800-526-9047