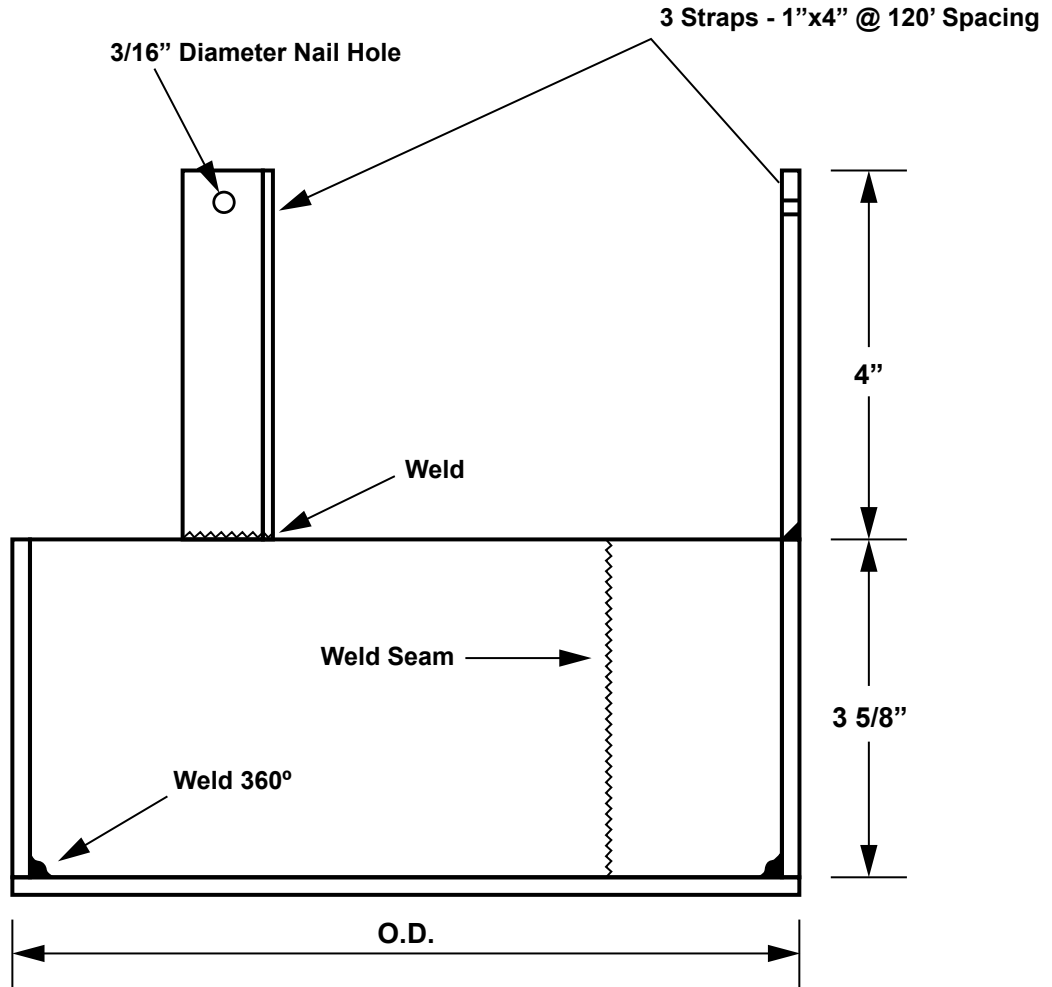


TIMBER BOOT

T-8316



MATERIAL: HOT ROLLED COMMERCIAL QUALITY STEEL

SIZE	6"	7"	8"	9"	10"	12"
OD	6 3/8"	7 3/8"	8 3/8"	9 3/8"	10 3/8"	12 3/8"

Timber Boots are available as 3/16" or 1/4" thick



**ASSOCIATED PILE
& FITTING**

45 Samworth Road, Clifton, NJ 07014
 Tel: 973-773-8400
 Fax: 973-773-8442
 email: apf@associatedpile.com
www.associatedpile.com
 Call Toll Free: 800-526-9047